

TRIPOD





Lighting Group

Tripod

by **LEDLFB**

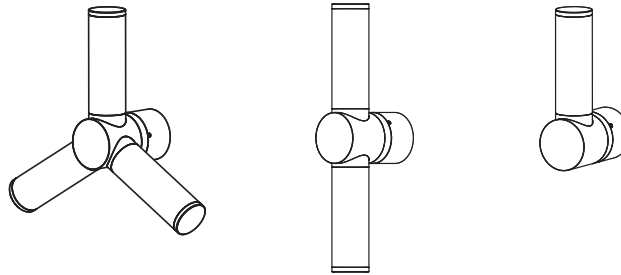
Series

Beauty from strength. Tripods are machined from solid metal and are available in a wide array of materials and finishes. Fully adjustable and suitable for inside, outside...seaside.

OUTDOOR WALL

DIMMABLE

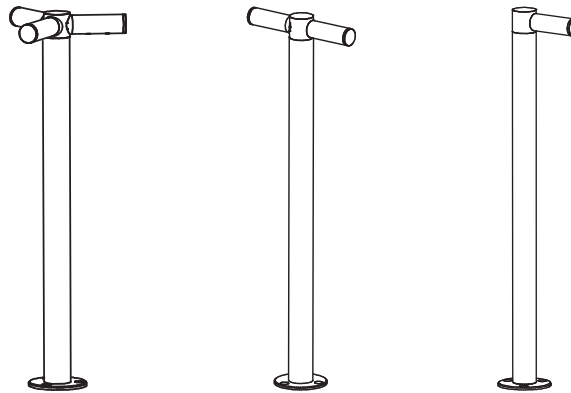
WET
LOCATION



LANDSCAPE

DIMMABLE

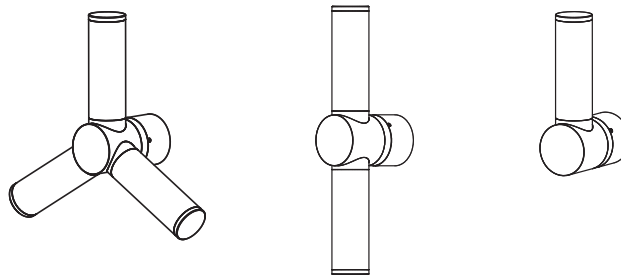
WET
LOCATION



INDOOR WALL

DIMMABLE

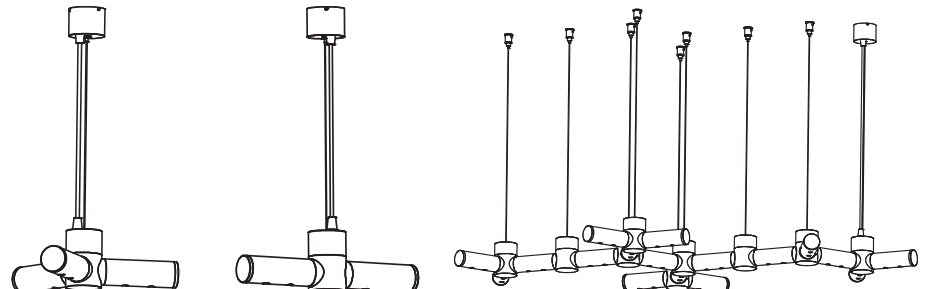
DAMP
LOCATION



PENDANT

DIMMABLE

DAMP
LOCATION





Job : _____ **Project** _____

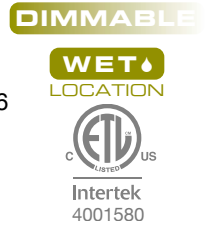
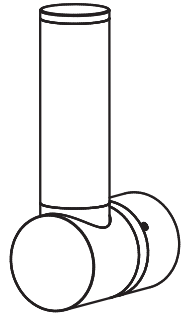
Type : _____

Part # : _____

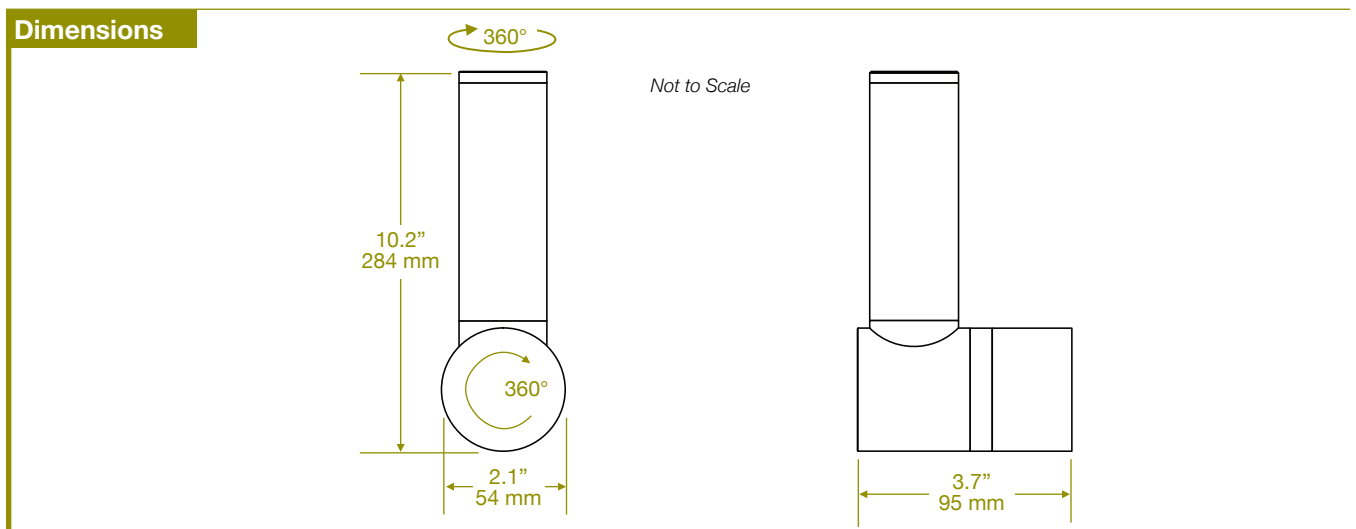
Tripod 1 Outdoor Wall by LEDLAB

Description Beauty from strength. Tripods are machined from solid metal and are available in a wide array of materials and finishes. Fully weatherproof for use outdoors.

Specifications	
Brand	LedLab
Source	2x 3 watt Surface Mount LED
Input	700mA Constant Current LED Driver
LED Driver	See LED Driver section for driver and dimming options
Power	6 watts
C.C.T.	Warm White [3200 K] or Cold White [6000 K]
Material	Aluminum, Stainless Steel or Brass body with Stainless Steel hardware
Adjustability	Center Hub and Arms rotate 360°
Weight	Aluminum = 1.3 lb. [0.6 kg], Stainless Steel or Brass = 3.5 lb. [1.6 kg]
Location	Listed for Wet Locations, ADA Compliant
Approvals	ETL Listed. Conforms to UL Standards 2108, 8750; certified to CSA C22.2 No. 9.0-96
Life	> 50,000 hours at 70% lumen maintenance
Warranty	Lifetime Limited Warranty - see warranty for details



Ordering Info			
Model	Color Temperature	Material	Color & Finish
LTR1WW	<input type="text"/>	<input type="text"/>	<input type="text"/>
LTR1WW	32 = 3200 K 60 = 6000 K	A = Aluminum S = Stainless Steel B = Brass	See "Material & Finish Chart - LedLab Series" for all options
			Custom materials and finishes available





Job : _____ **Project** _____

Type : _____

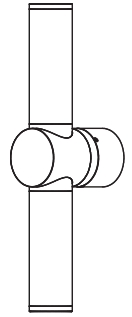
Part # : _____

Tripod 2 Outdoor Wall by LEDLAB.

Description Beauty from strength. Tripods are machined from solid metal and are available in a wide array of materials and finishes. Fully weatherproof for use outdoors.

Specifications

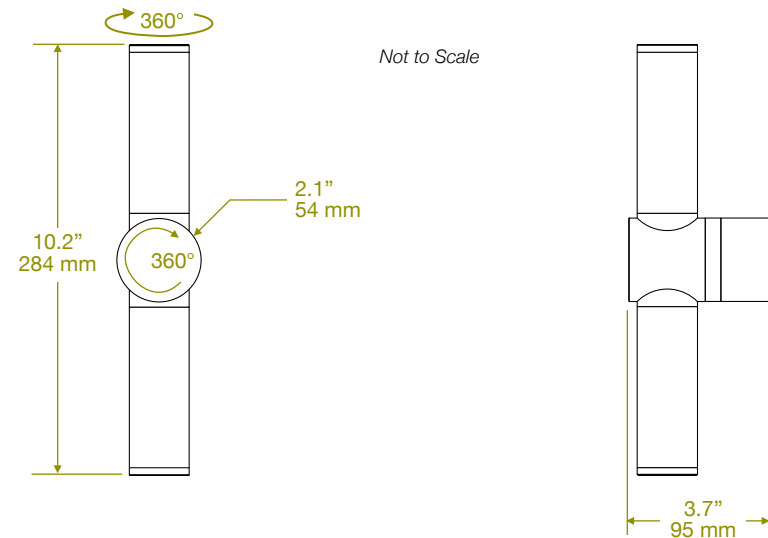
- Brand LedLab
- Source 4x 3 watt Surface Mount LED
- Input 700mA Constant Current LED Driver
- LED Driver See LED Driver section for driver and dimming options
- Power 12 watts
- C.C.T. Warm White [3200 K] or Cold White [6000 K]
- Material Aluminum, Stainless Steel or Brass body with Stainless Steel hardware
- Adjustability Center Hub and Arms rotate 360°
- Weight Aluminum = 1.9 lb. [0.85 kg], Stainless Steel or Brass = 4.4 lb. [2 kg]
- Location Listed for Wet Locations, ADA Compliant
- Approvals ETL Listed. Conforms to UL Standards 2108, 8750; certified to CSA C22.2 No. 9.0-96
- Life > 50,000 hours at 70% lumen maintenance
- Warranty Lifetime Limited Warranty - see warranty for details



Ordering Info

Model	Color Temperature	Material	Color & Finish	
LTR2WW	<input type="text"/>	<input type="text"/>	<input type="text"/>	
LTR2WW	32 = 3200 K 60 = 6000 K	A = Aluminum S = Stainless Steel B = Brass	See "Material & Finish Chart - LedLab Series" for all options	Custom materials and finishes available

Dimensions





Lighting Group

Job :	<input type="text"/>	Project
Type :	<input type="text"/>	
Part # :	<input type="text"/>	

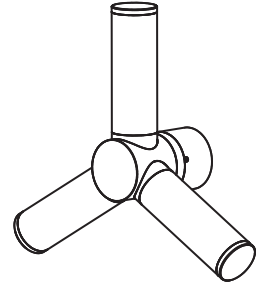
Tripod 3 Outdoor Wall by LEDLAB.

Description

Beauty from strength. Tripods are machined from solid metal and are available in a wide array of materials and finishes. Fully weatherproof for use outdoors.

Specifications

Brand	LedLab
Source	6x 4 watt Surface Mount LED
Input	120VAC 50/60Hz Dimmable with triac/phase control dimmers
LED Driver	No LED driver is required - luminaire operates directly on line voltage
Power	24 watts
C.C.T.	Warm White [3000 K] or Cold White [6000 K]
Material	Aluminum, Stainless Steel or Brass body with Stainless Steel hardware
Adjustability	Center Hub and Arms rotate 360°
Weight	Aluminum = 2.4 lb. [1.1 kg], Stainless Steel or Brass = 5.5 lb. [2.5 kg]
Location	Listed for Damp Locations, ADA Compliant
Approvals	ETL Listed. Conforms to UL Standards 1598, 8750; certified to CSA C22.2 No. 250.0-08
Life	> 50,000 hours at 70% lumen maintenance
Warranty	Lifetime Limited Warranty - see warranty for details



DIMMABLE

WET LOCATION

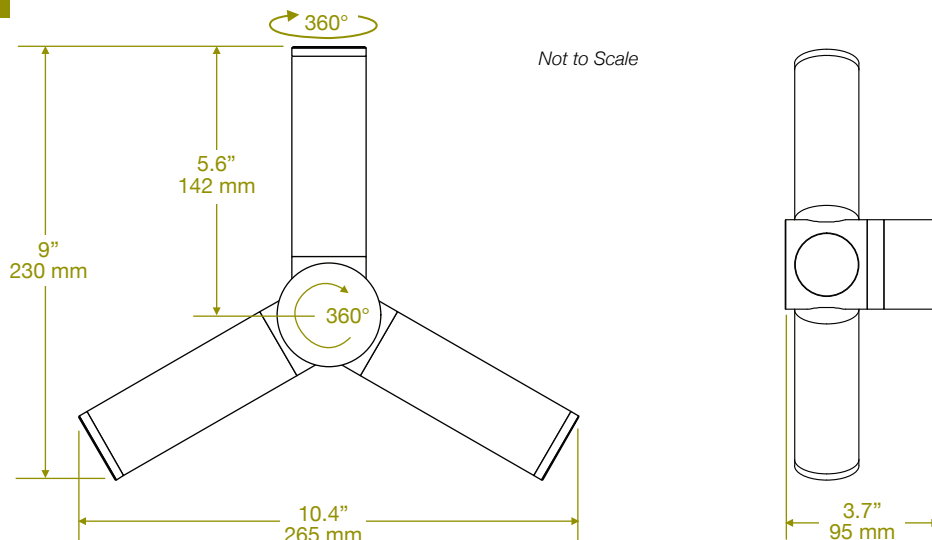


Ordering Info

Model	Color Temperature	Material	Color & Finish
LTR3WW	<input type="text"/>	<input type="text"/>	<input type="text"/>
LTR3WW	32 = 3200 K 60 = 6000 K	A = Aluminum S = Stainless Steel B = Brass	See "Material & Finish Chart - LedLab Series" for all options

Custom materials and finishes available

Dimensions





Job : _____ **Project** _____

Type : _____

Part # : _____

Tripod 1 Landscape

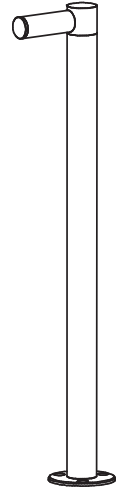


Description

Beauty from strength. Tripods are machined from solid metal and will survive... everything. Landscape models are available in three standard heights. Suitable for outdoors... anywhere.

Specifications

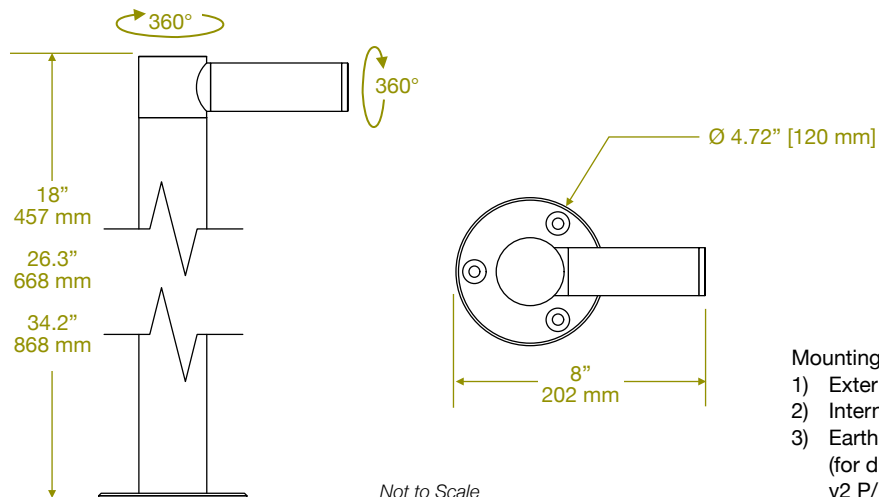
Brand	LedLab
Source	2x 3 watt Surface Mount LED
Input	120-277VAC 50/60Hz
LED Driver	Integral. Dimmable to 10% w/ trailing edge phase control dimmer
Power	8 watts
C.C.T.	Warm White [3200 K] or Cold White [6000 K]
Material	Aluminum, Stainless Steel or Brass body with Stainless Steel components
Adjustability	Center Hub and Arms rotate 360°
Weight	500mm: Aluminum = 3.8 lb. [1.7 kg], Stainless Steel or Brass = 8.0 lb. [3.6 kg] 700mm: Aluminum = 4.2 lb. [1.9 kg], Stainless Steel or Brass = 8.4 lb. [3.8 kg] 900mm: Aluminum = 4.6 lb. [2.1 kg], Stainless Steel or Brass = 8.8 lb. [4.0 kg]
Location	Listed for Wet Locations
Approvals	ETL Listed. Conforms to UL Standards 1598, 8750; certified to CSA C22.2 No. 250.0-08
Life	> 50,000 hours at 70% lumen maintenance
Warranty	Lifetime Limited Warranty - see warranty for details



Ordering Info

Model	Height	Color Temperature	Material	Color & Finish	
LTR1	<input type="text"/>	- <input type="text"/>	<input type="text"/>	<input type="text"/>	
LTR1	5 = 500 mm - 7 = 700 mm 9 = 900 mm	32 = 3200 K 60 = 6000 K	A = Aluminum S = Stainless Steel B = Brass	See "Material & Finish Chart - LedLab Series" for all options	Custom materials and finishes available

Dimensions



- Mounting Options:
- 1) External Flange
 - 2) Internal Hidden Base
 - 3) Earth Spike Accessory (for direct soil installation)
- v2 P/N: LTRLEP1



Lighting Group

Job : _____ **Project**

Type : _____

Part # : _____

Tripod 2 Landscape

by **LEDLAB**

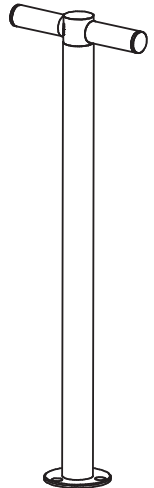
Description

Beauty from strength. Tripods are machined from solid metal and will survive... everything. Landscape models are available in three standard heights. Suitable for outdoors... anywhere.

Specifications

Brand	LedLab
Source	4x 3 watt Surface Mount LED
Input	120-277VAC 50/60Hz
LED Driver	Integral. Dimmable to 10% w/ trailing edge phase control dimmer
Power	15 watts
C.C.T.	Warm White [3200 K] or Cold White [6000 K]
Material	Aluminum, Stainless Steel or Brass body with Stainless Steel components
Adjustability	Center Hub and Arms rotate 360°
Weight	500mm: Aluminum = 4.4 lb. [2 kg], Stainless Steel or Brass = 9.6 lb. [4.4 kg] 700mm: Aluminum = 4.6 lb. [2.1 kg], Stainless Steel or Brass = 10.1 lb. [4.6 kg] 900mm: Aluminum = 5.1 lb. [2.3 kg], Stainless Steel or Brass = 10.6 lb. [4.8 kg]
Location	Listed for Wet Locations
Approvals	ETL Listed. Conforms to UL Standards 1598, 8750; certified to CSA C22.2 No. 250.0-08
Life	> 50,000 hours at 70% lumen maintenance
Warranty	Lifetime Limited Warranty - see warranty for details

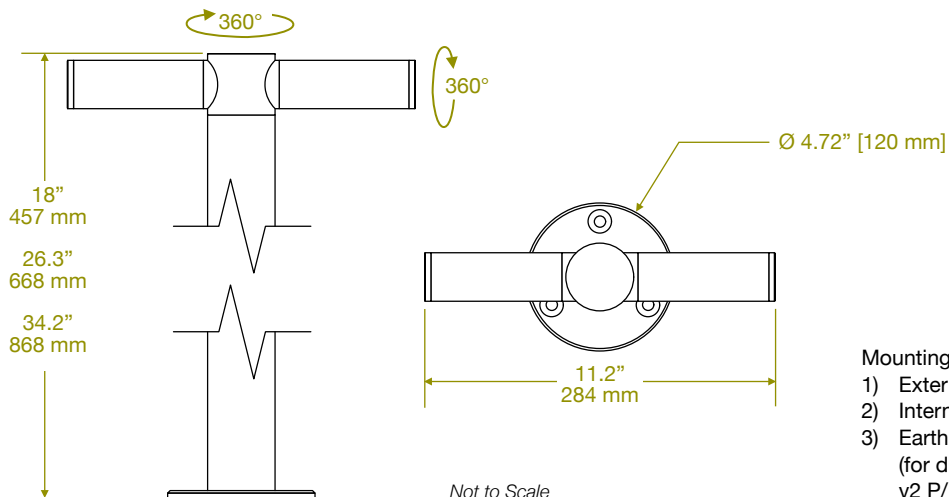
WET
LOCATION



Ordering Info

Model	Height	Color Temperature	Material	Color & Finish	
LTR2	<input type="text"/>	- <input type="text"/>	<input type="text"/>	<input type="text"/>	
LTR2	5 = 500 mm - 7 = 700 mm 9 = 900 mm	32 = 3200 K 60 = 6000 K	A = Aluminum S = Stainless Steel B = Brass	See "Material & Finish Chart - LedLab Series" for all options	Custom materials and finishes available

Dimensions



- Mounting Options:
- 1) External Flange
 - 2) Internal Hidden Base
 - 3) Earth Spike Accessory (for direct soil installation)
- v2 P/N: LTRLEP1



Lighting Group

Job : _____ Project _____
 Type : _____
 Part # : _____

Tripod 3 Landscape

by **LEDLAB**

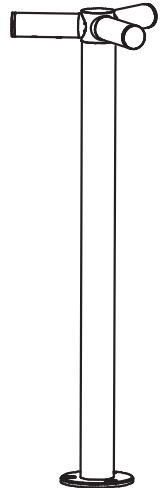
Description

Beauty from strength. Tripods are machined from solid metal and will survive... everything. Landscape models are available in three standard heights. Suitable for outdoors... anywhere.

Specifications

Brand	LedLab
Source	6x 3 watt Surface Mount LED
Input	120-277VAC 50/60Hz
LED Driver	Integral. Dimmable to 10% w/ trailing edge phase control dimmer
Power	22 watts
C.C.T.	Warm White [3200 K] or Cold White [6000 K]
Material	Aluminum, Stainless Steel or Brass body with Stainless Steel components
Adjustability	Center Hub and Arms rotate 360°
Weight	500mm: Aluminum = 4.7 lb. [2.1 kg], Stainless Steel or Brass = 11.5 lb. [5.2 kg] 700mm: Aluminum = 5.1 lb. [2.3 kg], Stainless Steel or Brass = 11.9 lb. [5.4 kg] 900mm: Aluminum = 5.5 lb. [2.5 kg], Stainless Steel or Brass = 12.3 lb. [5.6 kg]
Location	Listed for Wet Locations
Approvals	ETL Listed. Conforms to UL Standards 1598, 8750; certified to CSA C22.2 No. 250.0-08
Life	> 50,000 hours at 70% lumen maintenance
Warranty	Lifetime Limited Warranty - see warranty for details

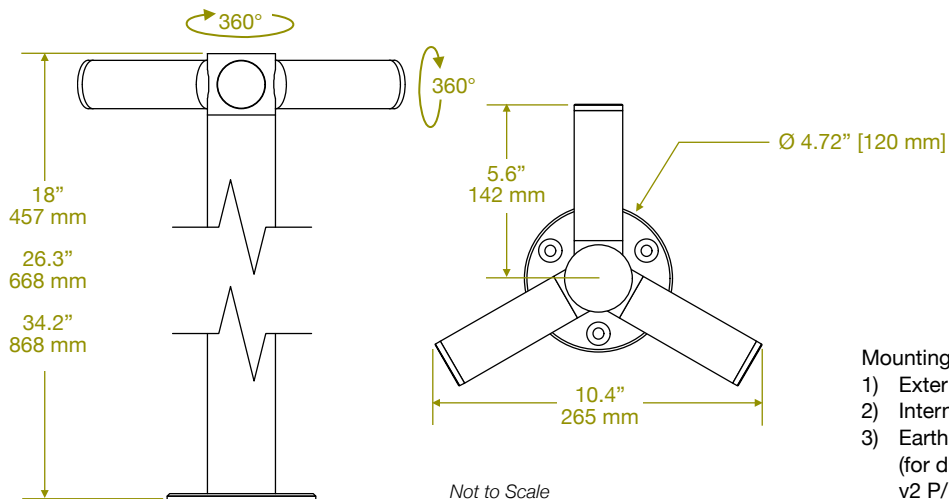
WET
LOCATION



Ordering Info

Model	Height	Color Temperature	Material	Color & Finish	
LTR3	<input type="text"/>	<input type="text"/>	<input type="text"/>	<input type="text"/>	
LTR3	5 = 500 mm - 7 = 700 mm 9 = 900 mm	32 = 3200 K 60 = 6000 K	A = Aluminum S = Stainless Steel B = Brass	See "Material & Finish Chart - LedLab Series" for all options	Custom materials and finishes available

Dimensions



- Mounting Options:
- 1) External Flange
 - 2) Internal Hidden Base
 - 3) Earth Spike Accessory (for direct soil installation)
- v2 P/N: LTRLEP1



Job : _____ **Project** _____

Type : _____

Part # : _____

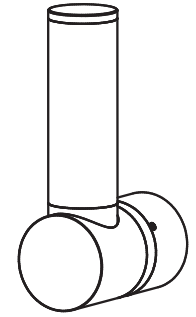
Tripod 1 Indoor Wall



Description Beauty from strength. Tripods are machined from solid metal and are available in a wide array of materials and finishes. Fully adjustable, suitable for damp locations and no LED driver required.

Specifications

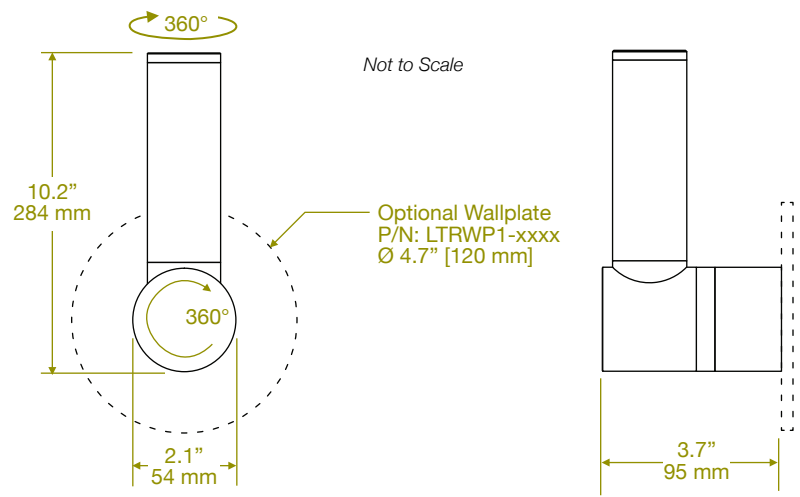
- Brand LedLab
- Source 2x 4 watt Surface Mount LED
- Input 120VAC 50/60Hz Dimmable with triac/phase control dimmers
- LED Driver No LED driver is required - luminaire operates directly on line voltage
- Power 8 watts
- C.C.T. Warm White [3000 K] or Cold White [6000 K]
- Material Aluminum, Stainless Steel or Brass body with Stainless Steel hardware
- Adjustability Center Hub and Arms rotate 360°
- Weight Aluminum = 1.3 lb. [0.6 kg], Stainless Steel or Brass = 3.5 lb. [1.6 kg]
- Location Listed for Damp Locations, ADA Compliant
- Approvals ETL Listed. Conforms to UL Standards 1598, 8750; certified to CSA C22.2 No. 250.0-08
- Life > 50,000 hours at 70% lumen maintenance
- Warranty Lifetime Limited Warranty - see warranty for details



Ordering Info

Model	Color Temperature	Material	Color & Finish	
LTR1WD	<input type="text"/>	<input type="text"/>	<input type="text"/>	
LTR1WD	30 = 3000 K 60 = 6000 K	A = Aluminum S = Stainless Steel B = Brass	See "Material & Finish Chart - LedLab Series" for all options	Custom materials and finishes available

Dimensions





Lighting Group

Job :	Project
Type :	
Part # :	

Tripod 2 Indoor Wall

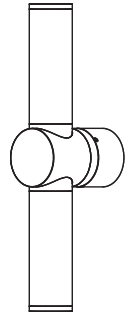
by **LEDLAB**

Description

Beauty from strength. Tripods are machined from solid metal and are available in a wide array of materials and finishes. Fully adjustable, suitable for damp locations and no LED driver required.

Specifications

Brand	LedLab
Source	4x 4 watt Surface Mount LED
Input	120VAC 50/60Hz Dimmable with triac/phase control dimmers
LED Driver	No LED driver is required - luminaire operates directly on line voltage
Power	16 watts
C.C.T.	Warm White [3000 K] or Cold White [6000 K]
Material	Aluminum, Stainless Steel or Brass body with Stainless Steel hardware
Adjustability	Center Hub and Arms rotate 360°
Weight	Aluminum = 1.9 lb. [0.85 kg], Stainless Steel or Brass = 4.4 lb. [2 kg]
Location	Listed for Damp Locations, ADA Compliant
Approvals	ETL Listed. Conforms to UL Standards 1598, 8750; certified to CSA C22.2 No. 250.0-08
Life	> 50,000 hours at 70% lumen maintenance
Warranty	Lifetime Limited Warranty - see warranty for details



DIMMABLE

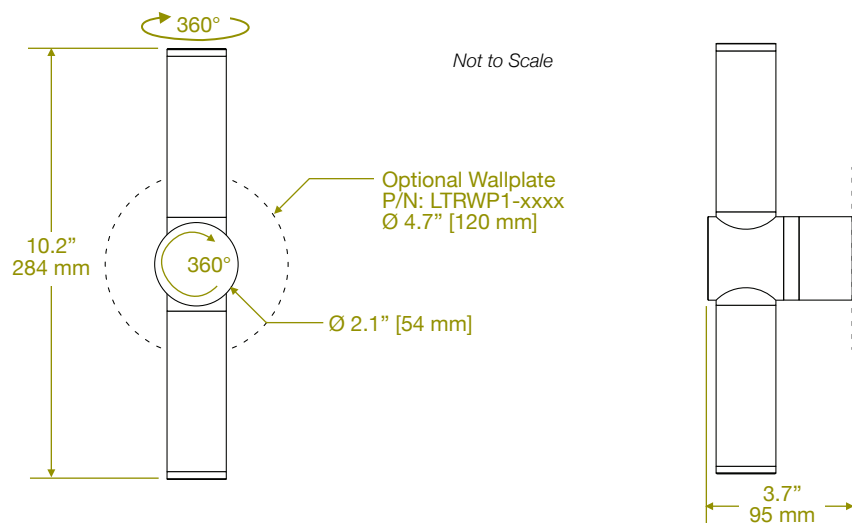
DAMP LOCATION



Ordering Info

Model	Color Temperature	Material	Color & Finish	
LTR2WD	<input type="text"/>	<input type="text"/>	<input type="text"/>	
LTR2WD	30 = 3000 K 60 = 6000 K	A = Aluminum S = Stainless Steel B = Brass	See "Material & Finish Chart - LedLab Series" for all options	Custom materials and finishes available

Dimensions





Job : _____ **Project** _____

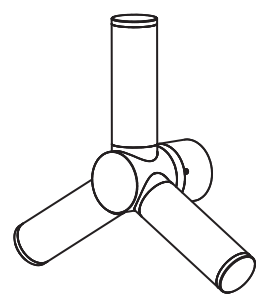
Type : _____

Part # : _____

Tripod 3 Indoor Wall by LEDLAB

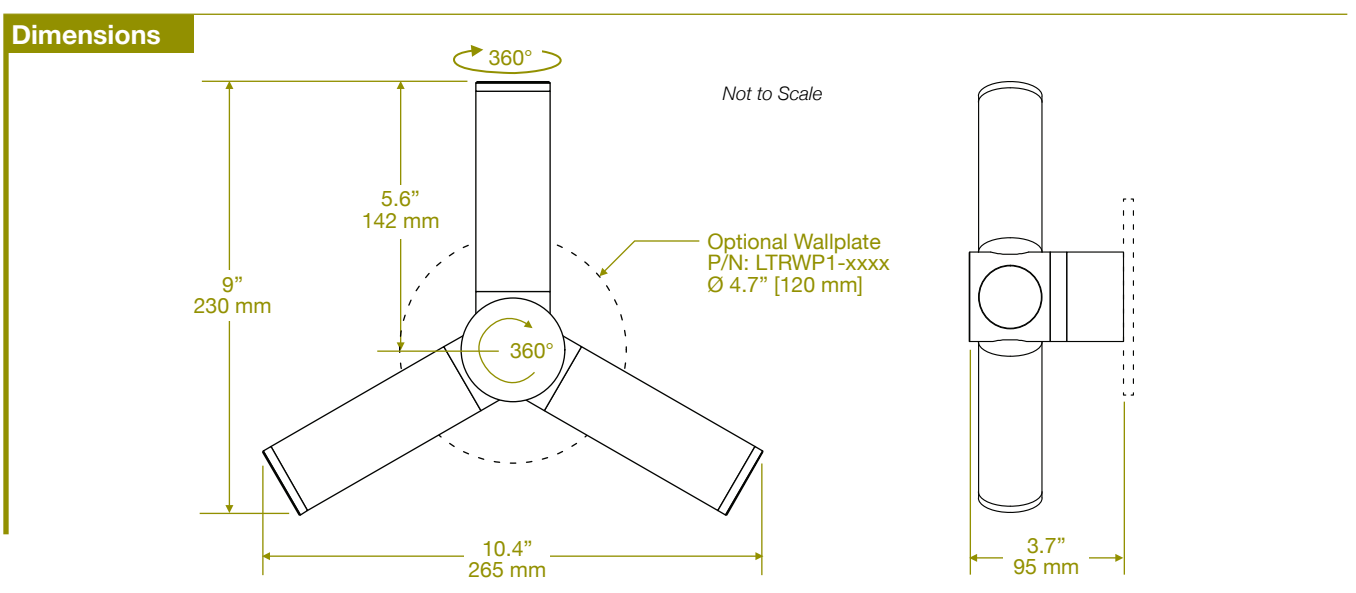
Description Beauty from strength. Tripods are machined from solid metal and are available in a wide array of materials and finishes. Fully adjustable, suitable for damp locations and no LED driver required.

Specifications	
Brand	LedLab
Source	6x 4 watt Surface Mount LED
Input	120VAC 50/60Hz Dimmable with triac/phase control dimmers
LED Driver	No LED driver is required - luminaire operates directly on line voltage
Power	24 watts
C.C.T.	Warm White [3000 K] or Cold White [6000 K]
Material	Aluminum, Stainless Steel or Brass body with Stainless Steel hardware
Adjustability	Center Hub and Arms rotate 360°
Weight	Aluminum = 2.4 lb. [1.1 kg], Stainless Steel or Brass = 5.5 lb. [2.5 kg]
Location	Listed for Damp Locations, ADA Compliant
Approvals	ETL Listed. Conforms to UL Standards 1598, 8750; certified to CSA C22.2 No. 250.0-08
Life	> 50,000 hours at 70% lumen maintenance
Warranty	Lifetime Limited Warranty - see warranty for details



Ordering Info			
Model	Color Temperature	Material	Color & Finish
LTR3WD	<input type="text"/>	<input type="text"/>	<input type="text"/>
LTR3WD	30 = 3000 K 60 = 6000 K	A = Aluminum S = Stainless Steel B = Brass	See "Material & Finish Chart - LedLab Series" for all options

Custom materials and finishes available





Job : _____ **Project** _____

Type : _____

Part # : _____

Tripod 2 Pendant

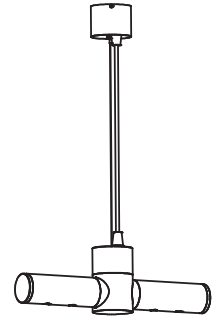


Description

Beauty from strength. Tripods are machined from solid metal and are available in a wide array of materials and finishes. Fully adjustable, suitable for damp locations and no LED driver required.

Specifications

Brand	LedLab
Source	4x 4 watt Surface Mount LED
Input	120VAC 50/60Hz Dimmable with triac/phase control dimmers
LED Driver	No LED driver is required - luminaire operates directly on line voltage
Power	16 watts
C.C.T.	Warm White [3000 K] or Cold White [6000 K]
Material	Aluminum, Stainless Steel or Brass body with Stainless Steel hardware
Adjustability	Center Hub and Arms rotate 360°
Weight	Aluminum = 2.2 lb. [1 kg], Stainless Steel or Brass = 4.9 lb. [2.2 kg]
Location	Listed for Damp Locations
Approvals	ETL Listed. Conforms to UL Standards 1598, 8750; certified to CSA C22.2 No. 250.0-08
Life	> 50,000 hours at 70% lumen maintenance
Warranty	Lifetime Limited Warranty - see warranty for details



DIMMABLE

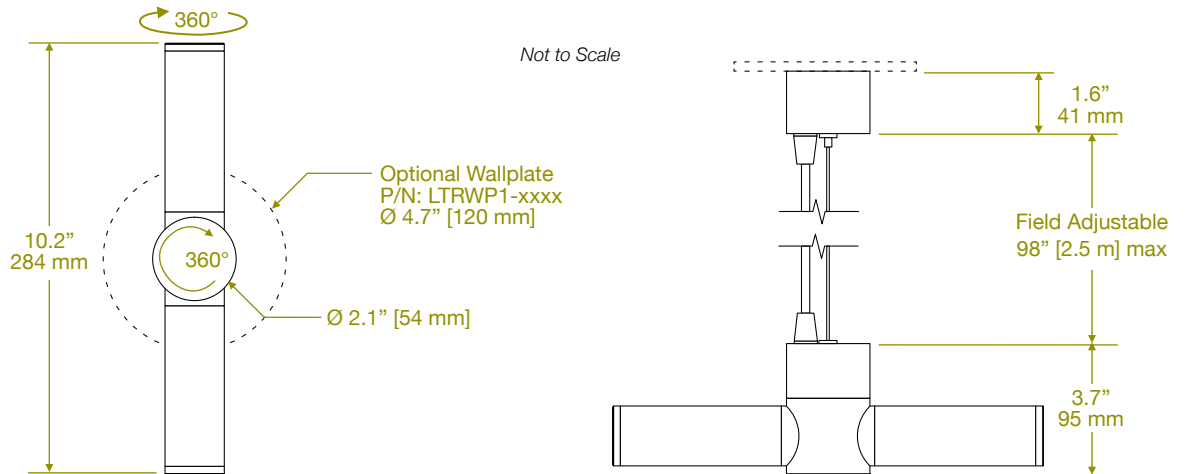
DAMP LOCATION



Ordering Info

Model	Color Temperature	Material	Color & Finish	
LTR2PD	<input type="text"/>	<input type="text"/>	<input type="text"/>	
LTR2PD	30 = 3000 K 60 = 6000 K	A = Aluminum S = Stainless Steel B = Brass	See "Material & Finish Chart - LedLab Series" for all options	Custom materials and finishes available

Dimensions





Job : _____ **Project** _____

Type : _____

Part # : _____

Tripod 3 Pendant

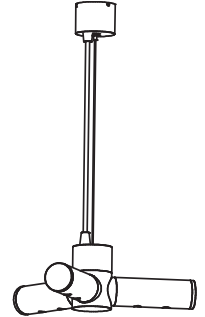


Description

Beauty from strength. Tripods are machined from solid metal and are available in a wide array of materials and finishes. Fully adjustable, suitable for damp locations and no LED driver required.

Specifications

Brand	LedLab
Source	6x 4 watt Surface Mount LED
Input	120VAC 50/60Hz Dimmable with triac/phase control dimmers
LED Driver	No LED driver is required - luminaire operates directly on line voltage
Power	24 watts
C.C.T.	Warm White [3000 K] or Cold White [6000 K]
Material	Aluminum, Stainless Steel or Brass body with Stainless Steel hardware
Adjustability	Center Hub and Arms rotate 360°
Weight	Aluminum = 2.9 lb. [1.3 kg], Stainless Steel or Brass = 6 lb. [2.7 kg]
Location	Listed for Damp Locations
Approvals	ETL Listed. Conforms to UL Standards 1598, 8750; certified to CSA C22.2 No. 250.0-08
Life	> 50,000 hours at 70% lumen maintenance
Warranty	Lifetime Limited Warranty - see warranty for details



DIMMABLE

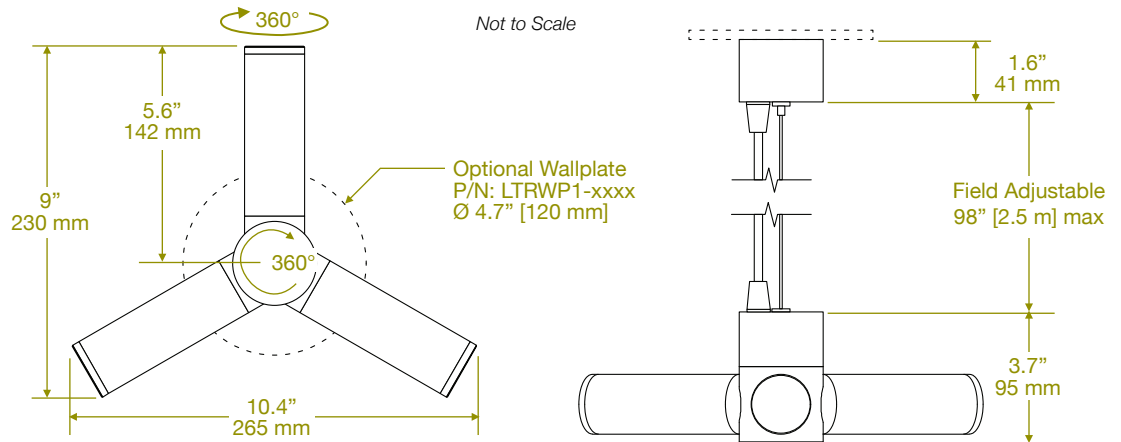
DAMP LOCATION



Ordering Info

Model	Color Temperature	Material	Color & Finish	
LTR3PD	<input type="text"/>	<input type="text"/>	<input type="text"/>	
LTR3PD	30 = 3000 K 60 = 6000 K	A = Aluminum S = Stainless Steel B = Brass	See "Material & Finish Chart - LedLab Series" for all options	Custom materials and finishes available

Dimensions





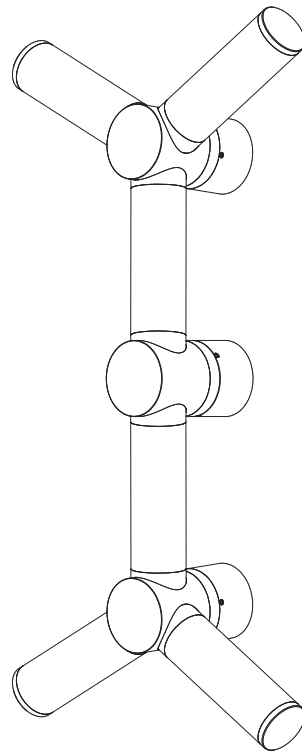
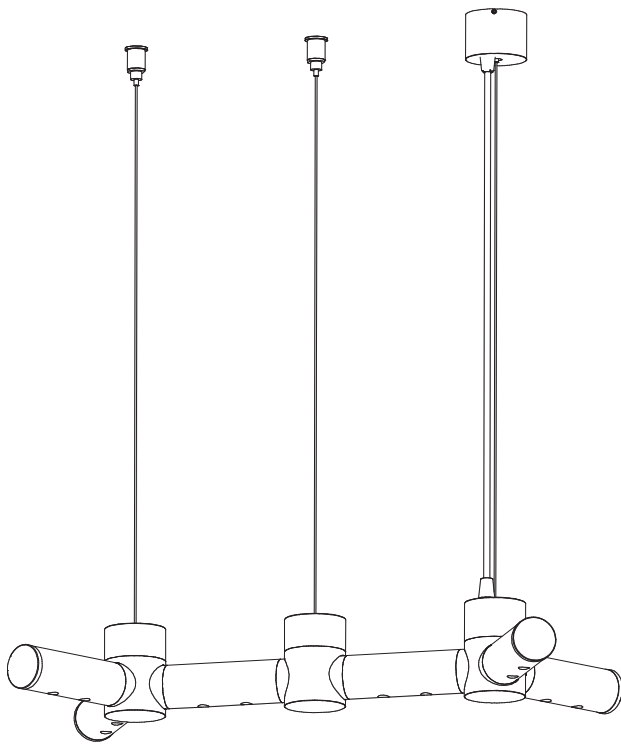
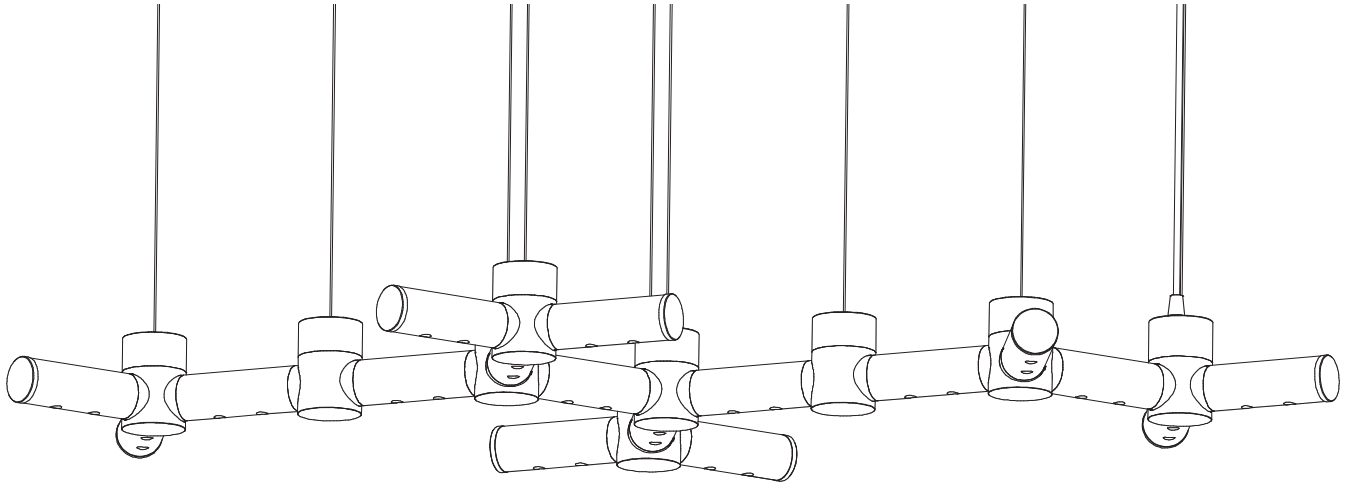
Lighting Group

Tripod Custom

by **LEDLFB**

Custom Clusters

Working from your imagination or a simple sketch we can create custom clusters of any shape, size and complexity. Both surface mount and pendant structures are possible. Like Tinkertoys™ for grown ups.



DIMMABLE

DAMP LOCATION



Intertek
4001580

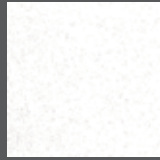
MATERIAL & FINISH CHART

LEDLAB SERIES

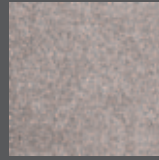
ALUMINUM FIXTURES:
ANODIZED UNDERCOAT
POWDER COAT FINISH



GLOSS
WHITE
(AWHG)



TEXTURED
WHITE
(AWHT)



TEXTURED
SILVER GRAY
(ASGT)



TEXTURED
BLACK
(ABKT)



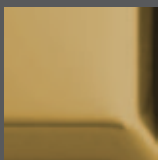
CUSTOM

CUSTOM COLORS
& FINISHES AVAILABLE

BRASS FIXTURES:
ELECTROPLATED FINISH

OPTIONAL CLEAR, UV STABLE OVERCOAT
AVAILABLE IN MATTE, SATIN OR GLOSS

SOME FINISHES MAY WEATHER TO A
NATURAL PATINA IF INSTALLED OUTDOORS



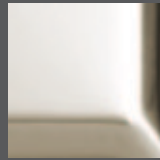
POLISHED
BRONZE
(BBZP)



POLISHED
COPPER
(BCPP)



POLISHED
BRASS
(BBSP)



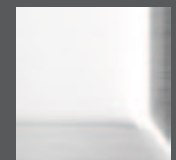
POLISHED
NICKEL
(BNKP)



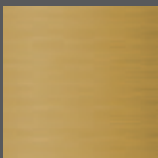
POLISHED
CHROME
(BCHP)



POLISHED
24K GOLD
(BGDP)



ELECTRO-
POLISHED
(SxxE)



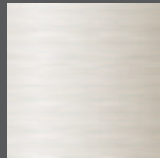
BRUSHED
BRONZE
(BBZB)



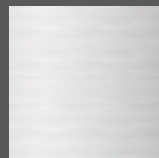
BRUSHED
COPPER
(BCPB)



BRUSHED
BRASS
(BBSB)



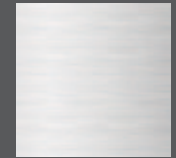
BRUSHED
NICKEL
(BNKB)



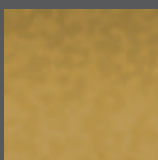
BRUSHED
CHROME
(BCHB)



BRUSHED
24K GOLD
(BGDB)



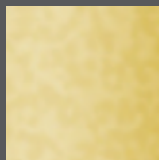
BRUSHED
STAINLESS
(SxxB)



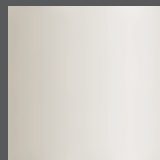
NATURAL
BRONZE
(BBZN)



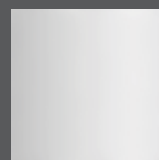
NATURAL
COPPER
(BCPN)



NATURAL
BRASS
(BBSN)



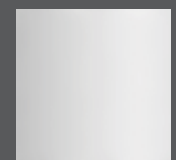
SATIN
NICKEL
(BNKS)



SATIN
CHROME
(BCHS)



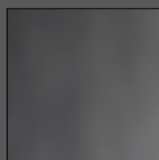
SATIN
24K GOLD
(BGDS)



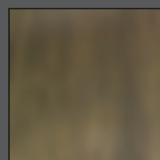
SATIN
STAINLESS
(SxxS)

STAINLESS STEEL FIXTURES:
TYPE 316L

BRASS FIXTURES:
PATINA FINISH



GUNMETAL
(BGNx)



ANTIQU
BRASS
(BABx)



OIL RUBB
BRONZE
(BOBx)

OPTIONAL CLEAR, UV STABLE
OVERCOAT AVAILABLE IN MATTE,
SATIN OR GLOSS

